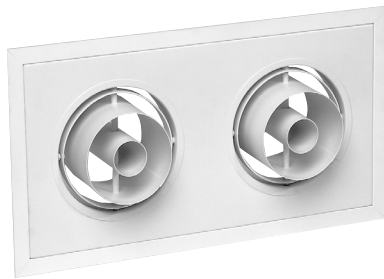


CE

REVIT MANUAL

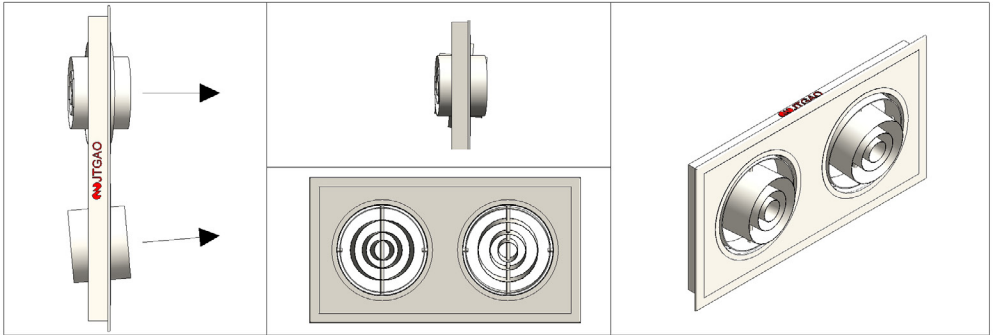
Wall diffuser

JTGA



SUMMARISED REVIT BIM MANUAL SOLID AIR MODELS

SUMMARISED MANUAL REVIT BIM-MODELS SOLID AIR



Text	
SACS_Warning_Text_Flow	
SACS_Warning_Text_Ploss	Pressure loss over requeste...
SACS_Warning_Text_Other	
SACS_Warning_Text_Sound	Sound over requested value
Materials and Finishes	
SACS_Color	RAL 9010 (standard)
SACS_Face_Color	NLRS_57_ral9010_gen_sacs
Dimensions	
NLRS_M_c01_breedte	605.0
NLRS_M_c01_hoogte	310.0
Size	605 x 310
Mechanical	
SACS_Max_Lp_dBA	28
SACS_Max_Ploss	35.00 Pa
SACS_Room_Temperature	25.00 °C
SACS_Primary_Air_Temperature	16.00 °C
SACS_Cooling_Capacity	6041.00 W
SACS_Heating_Capacity	0.00 W
Mechanical - Flow	
NLRS_M_c01_debiet	2000.0000 m³/h
SACS_Nominal_Min_Flow	450.0000 m³/h
SACS_Nominal_Max_Flow	2880.0000 m³/h
NLRS_M_c01_drukverlies_statisch	140.00 Pa
SACS_Lp_DbA	49
SACS_Throw	2112.0

Warnings when outcomes are outside the given threshold values.

Used color for diffuser.
Material to apply color to.

Nominal width of the diffuser.
Nominal height of the diffuser.

Maximum allowed sound production.
Maximum allowed static pressure loss.
Design temperature in room.
Design temperature air.
Cooling capacity of selection.
Heating capacity of selection.

Air flow.
Lower threshold application range volume.
Upper threshold application range volume.
Static pressure loss at airflow.
Sound pressure selected volume**.
Throw for selected volume*.

Identity Data	
NLRS_C_model	JTGAOO 200-2
NLRS_C_description	Solid Air jet diffuser JTGA (s...
NLRS_C_materiaal_kleur	RAL 9010 (standard)
SACS_Article_Code	8300000005
SACS_Gross_Cost	330.00
SACS_Price_Date	1-4-2021
SACS_Type_Mark	
Model Properties	
SACS_Option_1	Omranding 25 mm
Color Option (1-4)	1
Color Option	Standard
SACS_Custom_Color	
SACS_Standard_Color	<input checked="" type="checkbox"/>
SACS_Color_Ral	<input type="checkbox"/>
Horizontal rotation Jet 1	0.00*
Vertical rotation jet 1	0.00*
Horizontal rotation Jet 2	0.00*
Vertical rotation jet 2	0.00*
Horizontal rotation Jet 3	0.00*
Vertical rotation jet 3	0.00*
Horizontal rotation Jet 4	0.00*
Vertical rotation jet 4	0.00*
Visibility	
SACS_Show_Arrow	<input checked="" type="checkbox"/>
SACS_Show_Throw	<input checked="" type="checkbox"/>
SACS_Warning_Disabled	<input type="checkbox"/>

Article name selected diffuser.

Used color.

Order number***.

Gross price***.

Validity date price.

Selection color type.

Selected color type.

Entered custom color.

Use default color (if checked)

Version in custom RAL color.

Rotation jet over the horizontal axis.

Rotation jet over the vertical axis.

Show air arrows.

Show throw.

Hide warning on model.

Notes

**The assumed room attenuation for the sound pressure is 10 dB.

Values for throw, sound and pressure loss are based on a straight discharge pattern.

** The order number is only given when it concerns a standard product with a standard color. In terms of the price, the color-change surcharge is not included in the gross price. The price of the color itself is included in the price.

Design guidelines for fitting

Position the wall diffusers symmetrically in the room and do not blow supply air towards the external wall but towards the internal area. Prevent obstacles on the ceiling in the throw area that may disrupt the throw pattern.

The recommended maximum throw length is 6 x half the room height. The minimum recommended room height is 6 metres.

Rotation over the axes of the model

Each jet can be rotated individually over the horizontal or the vertical axis.



Solid Air International
A. PO Box 14, 9610 AA Sappemeer
T. +31 598 36 12 21
E. contact@solid-air.com
W. www.solid-air.com