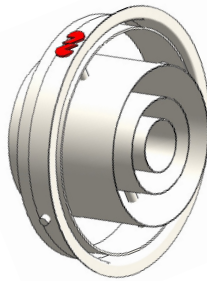




REVIT MANUAL

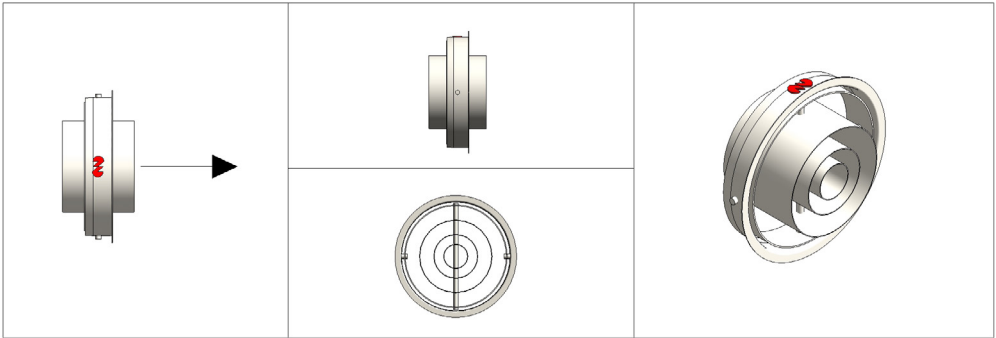
Wall diffuser

JTGO



SUMMARISED REVIT BIM MANUAL SOLID AIR MODELS

SUMMARISED MANUAL REVIT BIM-MODELS SOLID AIR



Text	
SACS_Warning_Text_Flow	
SACS_Warning_Text_Ploss	
SACS_Warning_Text_Other	
SACS_Warning_Text_Sound	
Materials and Finishes	
SACS_Color	RAL 9010 (standard)
SACS_Face_Color	NLRS_57_ral9010_gen_sacs
Dimensions	
NLRS_M_c01_diameter	250.0
Size	250 Ø
Mechanical	
SACS_Max_Lp_dBA	28
SACS_Max_Ploss	40.000000 Pa
SACS_Room_Temperature	-273.15 °C
SACS_Primary_Air_Temperature	-273.15 °C
SACS_Cooling_Capacity	0.00 W
SACS_Heating_Capacity	0.00 W
Mechanical - Flow	
NLRS_M_c01_debiet	700.0000 m³/h
SACS_Nominal_Min_Flow	450.0000 m³/h
SACS_Nominal_Max_Flow	2160.0000 m³/h
NLRS_M_c01_drukverlies_statisch	22.000000 Pa
SACS_Lp_DbA	25
SACS_Throw	1342.0

Warnings when outcomes are outside the given threshold values.

Used color for diffuser.
Material to apply color to.

Nominal diameter of the diffuser.

Maximum allowed sound production.
Maximum allowed static pressure loss.
Design temperature in room.
Design temperature air.
Cooling capacity of selection.
Heating capacity of selection.

Air flow.
Lower threshold application range volume.
Upper threshold application range volume.
Static pressure loss at airflow.
Sound power level at airflow**.
Throw for selected airflow*.

Identity Data

NLRS_C_model	JTGOOO 250
NLRS_C_description	Solid Air jet diffuser JTGO (s...
NLRS_C_materiaal_kleur	RAL 9010 (standard)
SACS_Article_Code	8300000015
SACS_Gross_Cost	166.00
SACS_Price_Date	1-4-2021

Article name selected diffuser.

Used color.

Order number***.

Gross price***.

Validity date price.

SACS_Type_Mark

Model Properties

SACS_Option_1	Ronde uitvoering voor buis
---------------	----------------------------

Color Option (1-4)

Color Option	Standard
--------------	----------

Selection color type.

Selected color type.

SACS_Custom_Color

SACS_Standard_Color	<input checked="" type="checkbox"/>
---------------------	-------------------------------------

Used custom color.

Use default color (if checked).

SACS_Color_Ral	<input type="checkbox"/>
----------------	--------------------------

Version in custom RAL color.

Horizontal rotation Jet 1	0.00*
---------------------------	-------

Rotation jet over the horizontal axis.

Vertical rotation jet 1	0.00*
-------------------------	-------

Rotation jet over the vertical axis.

Visibility

SACS_Show_Arrow	<input checked="" type="checkbox"/>
-----------------	-------------------------------------

Show air arrows.

SACS_Show_Throw	<input checked="" type="checkbox"/>
-----------------	-------------------------------------

Show throw.

SACS_Warning_Disabled	<input type="checkbox"/>
-----------------------	--------------------------

Hide warning on model.

Notes

**The assumed room attenuation for the sound pressure is 10 dB. Values for throw, sound and pressure loss are based on a straight discharge pattern.

***The order number is only given when it concerns a standard product with a standard colour. In terms of the price, the colour-change surcharge is not included in the gross price. The price of the colour itself is included in the price.

Design guidelines for fitting

Position the wall diffusers symmetrically in the room and do not blow supply air towards the external wall but towards the internal area. Prevent obstacles on the ceiling in the throw area that may disrupt the throw pattern.

The recommended maximum throw length is 6 x half the room height. The minimum recommended room height is 6 metres.

Rotation over the axes of the model

The jet can be rotated individually over the horizontal or the vertical axis.



Solid Air International
A. PO Box 14, 9610 AA Sappemeer
T. +31 598 36 12 21
E. contact@solid-air.com
W. www.solid-air.com