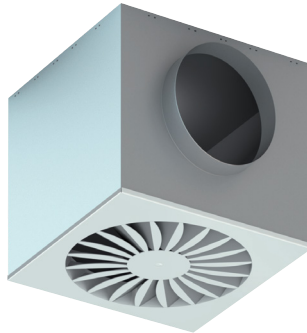


CE

REVIT MANUAL

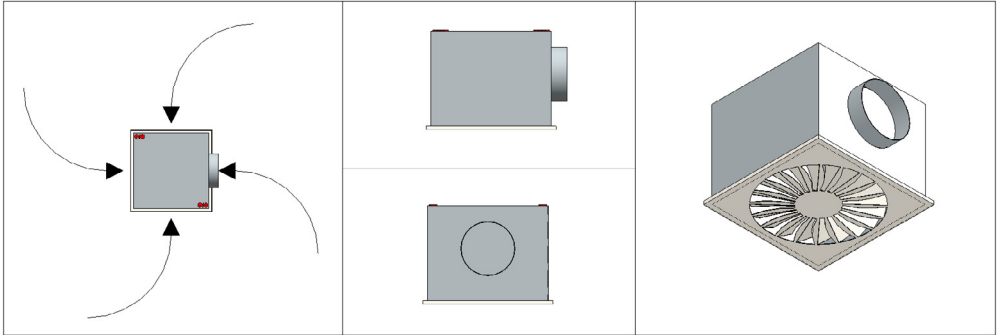
Ceiling diffuser

RRBD



SUMMARISED REVIT BIM MANUAL SOLID AIR MODELS

SUMMARISED MANUAL REVIT BIM-MODELS SOLID AIR



Text

SACS_Warning_Text_Flow

SACS_Warning_Text_Other

SACS_Warning_Text_Ploss

SACS_Warning_Text_Sound

Warnings when outcomes are outside the given threshold values.

Materials and Finishes

SACS_Color RAL 9010

Used color.

SACS_Face_Color NLR5_57_ral9010_gen_sacs

Material color for model*.

SACS_Lining_Material None

Internal insulation plenum.

SACS_Lining_Thickness 0.0

Insulation thickness.

Dimensions

NLRS_M_c01_diameter 125.0

Nominal connection size.

SACS_Plenum_Height 215.0

Height of the plenum.

Size 125 Ø

Mechanical

SACS_Max_Lp_dBA 28

Maximum permitted sound production.

SACS_Max_Ploss 15.000000 Pa

Maximum required pressure loss.

Mechanical - Flow

NLRS_M_c01_debiet 150.0000 m³/h

Air flow.

NLRS_M_c01_drukverlies_statisch 13.900000 Pa

Static pressure loss at airflow.

SACS_Lp_DbA 21

Sound power level at airflow (room attenuation: 10 dB).

Identity Data	
NLRS_C_model	RRBDOU 250
NLRS_C_materiaal_kleur	RAL 9010
SACS_Article_Code	8201000032
SACS_Gross_Cost	127.00
SACS_Price_Date	01-02-2022
SACS_Type_Mark	
Model Properties	
SACS_Option_1	RRBD
SACS_Option_2	OU
SACS_Connector_Top	<input type="checkbox"/>
SACS_Lined_Plenum	<input type="checkbox"/>
SACS_Low_Plenum	<input type="checkbox"/>
SACS_Oval_Connector	<input type="checkbox"/>
SACS_Standard_Color	<input checked="" type="checkbox"/>
SACS_Color_Ral	<input checked="" type="checkbox"/>
SACS_Costum_Color	
Visibility	
SACS_Arrows_and_Throw_En...	<input checked="" type="checkbox"/>
SACS_Warning_Disable	<input type="checkbox"/>

Article name selected diffuser.

Used diffuser color.

Order number**.

Gross price**.

Validity date price.

Plenum/connection version.

Select plenum with top connection.

Select insulated plenum.

Select dropped plenum.

Select plenum with oval connection.

Use default color (if checked).

Select (different) RAL color.

Use costum color.

Show arrows and throw.

Hide warning on model.

Notes

*If a different color is required for the diffuser, the view of the model can be given a different color.

**Order numbers are only given when it concerns a product that was available in our ERP on the version date and that is a standard RAL 9010 version.

Possible configurations

Not every conceivable combination is possible for the plenum. The model will adjust to what is possible, and the corresponding option will be shown under the parameter "SACS_Option_2"

OA: Round top connection.

OU: Uninsulated plenum (not possible with round top connection).

OR: Insulated plenum (not possible with round top connection).

OU OV: Uninsulated plenum with oval connection (not possible with round top connection).

OR OV: Insulated plenum oval connection (not possible with round top connection).

OU VP: Uninsulated, dropped plenum (not possible with round top and oval connection).

OR VP: Insulated, dropped plenum (not possible with round top and oval connection).

When "SACS_Standard_Color" is on, the standard RAL 9010 diffusers will be used for the price and the order number.

When "SACS_Sandard_Color" is off and "SACS_Color_Ral" is on, the color in the parameter "SACS_Custom_Color" is used as the entered color. There is no order number for this, and the displayed price is for using a non-standard RAL color (i.e. not RAL 9010).

When "SACS_Sandard_Color" is off and "SACS_Color_Ral" is off, the color in the parameter "SACS_Custom_Color" is used as the entered color. There is no order number for this, and the displayed price is for using a non RAL color.

NB: a color-change surcharge applies per delivery and per color for using non-standard colors!



Solid Air International
A. PO Box 14, 9610 AA Sappemeer
T. +31 598 36 12 21
E. contact@solid-air.com
W. www.solid-air.com