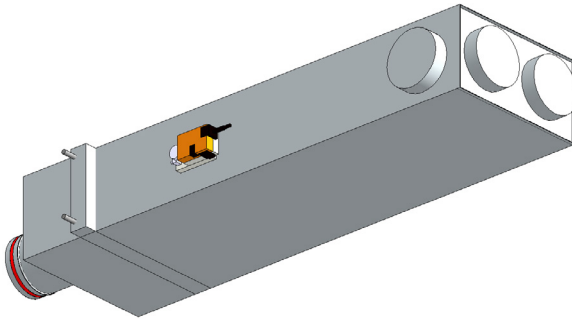




REVIT MANUAL

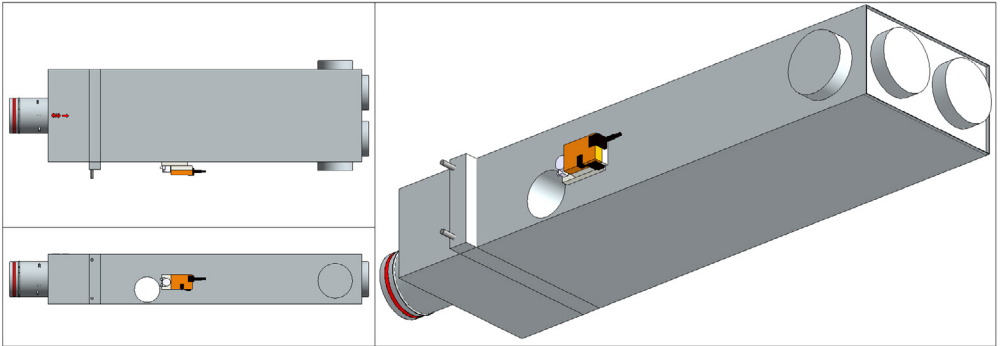
Volume unit

VVISM-B



SUMMARISED REVIT BIM MANUAL SOLID AIR MODELS

SUMMARISED REVIT BIM MANUAL SOLID AIR MODELS



Dimensions

NLRS_M_c01_diameter	200.0	Nominal connection size IN.
NLRS_M_c02_diameter	200.0	Nominal connection size OUT.
NLRS_M_c03_diameter	200.0	Nominal connection size OUT.
NLRS_M_c04_diameter	200.0	Nominal connection size OUT.
NLRS_M_c05_diameter	200.0	Nominal connection size OUT.
NLRS_P_c01_diameter	12.0	Nominal connection size water IN.
NLRS_P_c02_diameter	12.0	Nominal connection size water OUT.

Mechanical

NLRS_M_c01_temperatuur	20.00 °C	Primary temperature (IN).
NLRS_P_c01_volumestroom	72.00 L/s	Water flow IN.
NLRS_P_c01_drukverlies_stati...	4.700000 Pa	Pressure loss Water IN.
NLRS_P_c02_volumestroom	72.00 L/s	Water flow OUT.
NLRS_P_c02_drukverlies_stati...	4.700000 Pa	Pressure loss Water OUT.
NLRS_P_c01_temperatuur	45.00 °C	Water temperature IN.
NLRS_P_c02_temperatuur	40.00 °C	Water temperature OUT.

Mechanical - Flow	
NLRS_M_c01_debiet	965.0000 m³/h
SACS_induction_Flow	193.0000 m³/h
SACS_Total_unit_Flow	1158.0000 m³/h
NLRS_M_c01_drukverlies_stati...	125.000000 Pa
NLRS_M_c02_debiet	325.0000 m³/h
NLRS_M_c03_debiet	300.0000 m³/h
NLRS_M_c04_debiet	275.0000 m³/h
NLRS_M_c05_debiet	250.0000 m³/h
SACS_Total_exit_flow	1150.0000 m³/h
SACS_Exit_pressure_loss	25.000000 Pa
SACS_Requested_Min_Flow_%	50
SACS_Requested_Min_Flow	482.5000 m³/h
SACS_Induction_multiplier	1.200000
Identity Data	
NLRS_C_model	VVISMMBSR 200
SACS_Article_Code	9201003712
SACS_Type_Mark	
SA-Select	https://selectietool.solid...
Model Properties	
SACS_Option_1	VVISM
SACS_Option_2	M = 4x round exit
SACS_Option_3	B = heater
Controller type (0-3)	0
SACS_Option_4	S = compact MP (standard)
Operating side (0-1)	0
SACS_Option_5	R = right
Pre-pressure	125.000000 Pa

Air volume IN
 Air volume IN via induction.
 Total air volume IN.
 Pressure loss with flow*.
 Air volume OUT
 Air volume OUT
 Air volume OUT
 Air volume OUT
 Add c02 to c05.
 Highest pressure loss c02-c05**.
 Lowest unit setting (%).
 Lowest unit setting (m3/h)
 Induction factor f***.

Article name selected volume unit
 Order number.

Basic version.
 Connection type OUT.
 Equipped with post-heater or not.
 Selection field control equipment.
 Selected control equipment.
 Selection field equipment side.
 Selected equipment side.
 Setting inlet pressure controller*.

Notes

*It is recommended to apply an inlet pressure of at least 125 Pa to ensure proper operation of the control equipment. This value is the standard setting in the Revit model, so this value is used for calculating the transmission in the duct system to determine (critical path) the required pressure of the fan/AHU.

The actual inlet pressure may of course be higher when this unit is not in the critical path, but closer to the AHU or the fan. When you determine the inlet pressure, remember the pressure loss after the unit!

**It is recommended to keep the pressure loss after the unit (critical path) at a maximum of 25 Pa. This pressure loss has a major effect on the induction factor to be achieved.

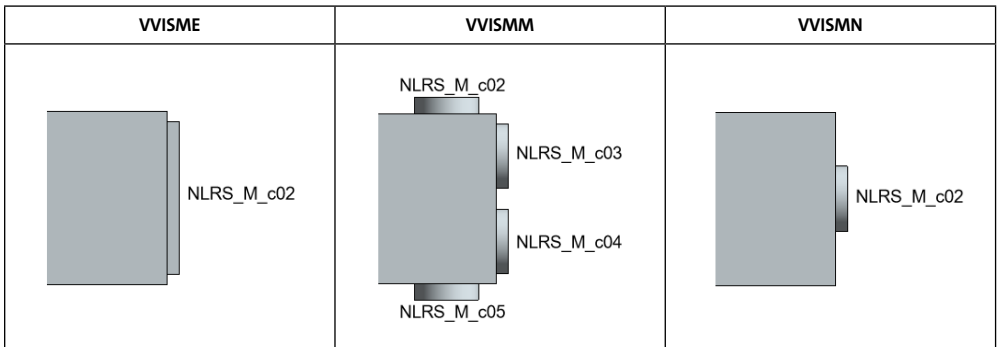
***The induction factor determines how much air is extracted from a room for reuse. This depends on the primary air volume, the inlet pressure, and the counter-pressure (pressure loss) after the unit; see the documentation for determining the induction factor: <https://solid-air.com/products/solid-air-international-induction-unit-vvis/>.

Please contact our advisers for your final selection.

Values for “Controller type (0-3)”			
0: Compact MP (standard)	1: Compact MOD	2: Compact KNX	3: Universal VRU (quick-running)

Values for “Operating side (0-1)”	
0: Equipment right (standard)	1: Equipment left

Revit does not provide for switching connectors on or off. Therefore, we offer you six different families: with a post-heater, and without a post-heater (see the manual for the VVISM_O), where there are three different versions for the outgoing connection on the air side.





Solid Air International
A. PO Box 14, 9610 AA Sappemeer
T. +31 598 36 12 21
E. contact@solid-air.com
W. www.solid-air.com